

TECHNICAL CHARACTERISTICS

MATERIAL  
 INSULATOR: PBTG15  
 FLAMMABILITY RATING: UL94V0  
 COLOR: BLACK  
 CONTACT / PLATING: COPPER ALLOY / Ni+Sn  
 FUSE CONTACT: PHOSPHOR BRONZE / Ni+Sn  
 SPRING: INOX STEEL

ENVIRONMENTAL  
 OPERATING TEMPERATURE: -30°C UP TO +120°C  
 COMPLIANCE: LEAD FREE AND ROHS

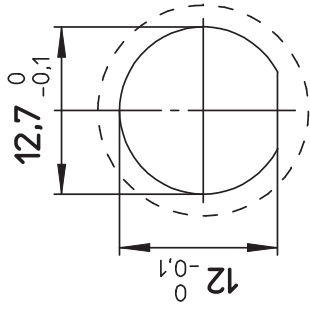
ELECTRICAL  
 CURRENT RATING: 20 A  
 WORKING VOLTAGE: 250 VAC  
 WITHSTANDING VOLTAGE: 1,5 KV  
 RATED POWER ACCEPTANCE: ---  
 PROTECTION CLASS: I o II  
 CONTACT RESISTANCE: 5/10 mΩ MAX

STANDARD  
 RoHS CERTIFIED: E157417  
 RoHS CERTIFIED: 133367  
 CAT. N°: PTF/35  
 TYPE: PTF/35

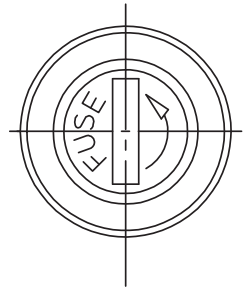
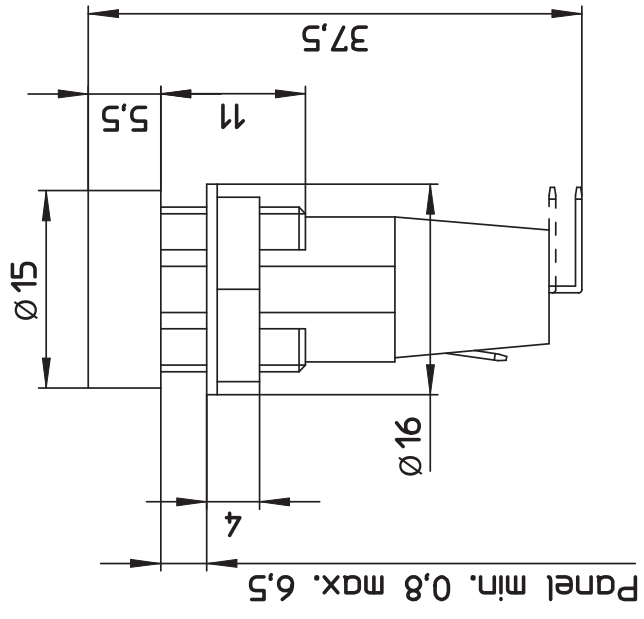
MECHANICAL  
 FUSE-LINK: 5x20 mm  
 PROTECTION RATE: IP40  
 SHOCKSAFE CATEGORY: PC2

SOLDERING  
 MANUAL SOLDERING

PACKAGING  
 BOX



PANEL LAYOUT - COMPONENT VIEW









RoHS Compliant		GENERAL TOLERANCE		PROJECTION:		SHOCKSAFE FUSEHOLDERS - PANEL - SCREW'N LOCK	
G		±0,1				COVER - THT - WR-FSH	
F				APPROVAL: FBr		SIZE	
E						A4	
D	14-MAR-17	PCN	AK				
C	30-JUN-15	SHOCKSAFE	AK				
B	01-APR-15	PROTECTION RATE	QL				
A	11-SEP-14	PDF	AK				
REV	DATE	FILE	BY				
				SHEET: 1/2		REFERENCE DF : 515025	
				DRAW: AK			



DESCRIPTION: SHOCKSAFE FUSEHOLDERS - PANEL - SCREW'N LOCK

REFERENCE DF : 515025

1	2	3	4	5																																											
<p><b>Cautions and Warnings:</b></p> <p>This electronic component is designed and developed with the intention for use in general electronics equipments.</p> <p>Before incorporating the components into any equipments in the field such as aerospace, aviation, nuclear control, submarine, transportation, (automotive control, train control, ship control), transportation signal, disaster prevention, medical, public information network etc. where higher safety and reliability are especially required or if there is possibility of direct damage or injury to human body, Wurth Elektronik must be asked for a written approval.</p> <p>In addition, even electronic component in general electronic equipments, when used in electrical circuits that require high safety, reliability functions or performance, the sufficient reliability evaluation-check for the safety must be performed before by the user before usage.</p>																																															
<p style="text-align: center;">A</p> <p style="text-align: center;">B</p> <p style="text-align: center;">C</p>																																															
<p style="text-align: right;">D</p>																																															
<table border="1" style="width: 100%; border-collapse: collapse;"> <tr> <td colspan="2">RoHS Compliant</td> <td colspan="2">GENERAL TOLERANCE</td> <td rowspan="2" style="text-align: center;">  </td> </tr> <tr> <td>G</td> <td></td> <td colspan="2">.X = +/- 0.2 .XX = +/- 0.15</td> </tr> <tr> <td>F</td> <td></td> <td colspan="2">PROJECTION:</td> <td rowspan="2" style="text-align: center;">  </td> </tr> <tr> <td>E</td> <td></td> <td colspan="2">APPROVAL: JC</td> </tr> <tr> <td>D</td> <td></td> <td colspan="2">UNIT: MM</td> <td>DESCRIPTION: DISCLAIMER</td> </tr> <tr> <td>C</td> <td></td> <td colspan="2">SCALE:</td> <td>REFERENCE DF : 515025</td> </tr> <tr> <td>B</td> <td></td> <td colspan="2">SHEET: 2/2</td> <td>SIZE</td> </tr> <tr> <td>A</td> <td>10-SEP-14</td> <td>PDF</td> <td>QL</td> <td><b>A4</b></td> </tr> <tr> <td>REV</td> <td>DATE</td> <td>FILE</td> <td>BY</td> <td></td> </tr> </table>					RoHS Compliant		GENERAL TOLERANCE			G		.X = +/- 0.2 .XX = +/- 0.15		F		PROJECTION:			E		APPROVAL: JC		D		UNIT: MM		DESCRIPTION: DISCLAIMER	C		SCALE:		REFERENCE DF : 515025	B		SHEET: 2/2		SIZE	A	10-SEP-14	PDF	QL	<b>A4</b>	REV	DATE	FILE	BY	
RoHS Compliant		GENERAL TOLERANCE																																													
G		.X = +/- 0.2 .XX = +/- 0.15																																													
F		PROJECTION:																																													
E		APPROVAL: JC																																													
D		UNIT: MM		DESCRIPTION: DISCLAIMER																																											
C		SCALE:		REFERENCE DF : 515025																																											
B		SHEET: 2/2		SIZE																																											
A	10-SEP-14	PDF	QL	<b>A4</b>																																											
REV	DATE	FILE	BY																																												