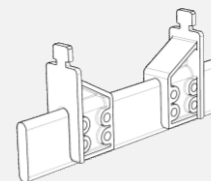


NH-N NEUTROS NH NH NEUTRAL LINKS



ST	GAMA		RANGE
	Tamaño Size	Referencia / Code	(A)
	NH00	341100	160
NH0	341160	160	
NH1	341250	250	
NH2	341400	400	
NH3	341630	630	
NH4	340125	1250	

XL	GAMA		RANGE
	Tamaño Size	Referencia / Code	(A)
	NH1-XL	341051	250
NH2-XL	341052	400	
NH3-L	341053	630	

CARACTERÍSTICAS TÉCNICAS

- MATERIALES:

CUCHILLAS

- Cobre o latón plateado

ENGANCHES

- Termoplástico con alta resistencia a la temperatura y grado de inflamabilidad V0.
- Talla NH4 acero cincado

TECHNICAL FEATURES

- MATERIALS:

CONTACT BLADES

- Silver plated copper or brass.

HOOKS

- Thermoplastic with high resistance to temperature and flammability rating V0.
- Zinc plated steel in size NH4

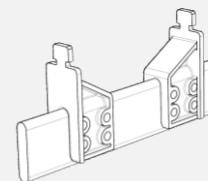
PESOS (Producto sin embalaje)

Descripción	Description	Peso / Weight
NEUTRO NH00	NH00 NEUTRAL	70 gr.
NEUTRO NH0	NH0 NEUTRAL LINK	105 gr.
NEUTRO NH1	NH1 NEUTRAL LINK	137 gr.
NEUTRO NH2	NH2 NEUTRAL LINK	200 gr.
NEUTRO NH3	NH3 NEUTRAL LINK	235 gr.
NEUTRO NH4	NH4 NEUTRAL LINK	660 gr.

WEIGHT (Products without packing)

Descripción	Description	Peso / Weight
NEUTRO NH1-XL	NH1-XL NEUTRAL LINK	200 gr.
NEUTRO NH2-XL	NH2-XL NEUTRAL LINK	265 gr.
NEUTRO NH3-L	NH3-L NEUTRAL LINK	325 gr.

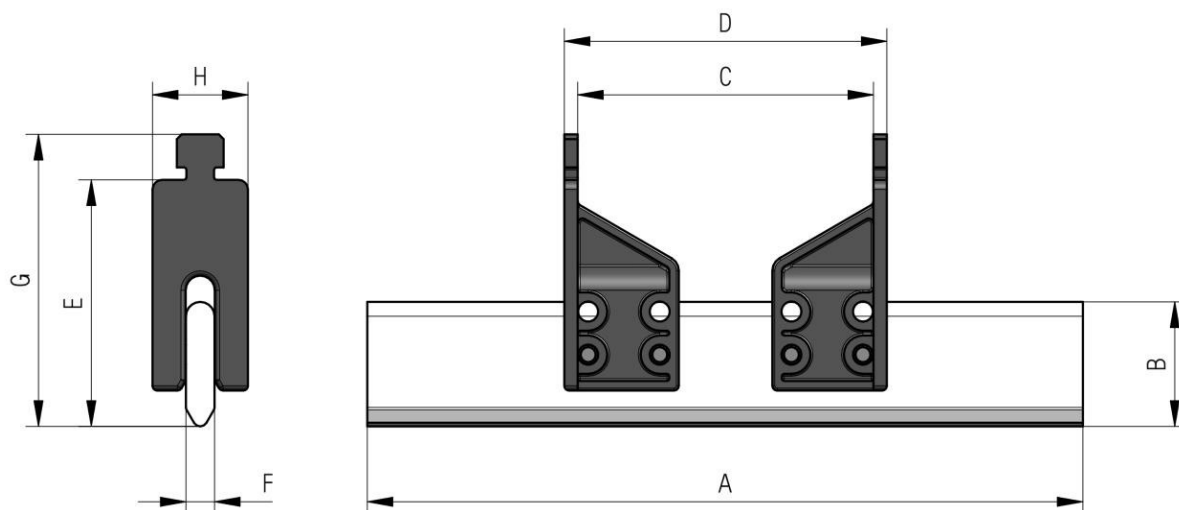
NH-N NEUTROS NH NH NEUTRAL LINKS



DIMENSIONES

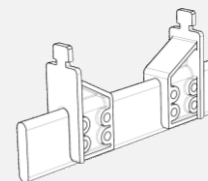
DIMENSIONS

NH00/NH0/NH1/NH2/NH3/NH1-XL/NH2-XL/NH3-L
(MODELOS AISLADOS – INSULATED VERSIONS)



	A	B	C	D	E	F	G	H
NH00	78,5	15	44,4	50	35	6	44,5	20
NH00	125	15	62	67,6	35	6	44,5	20
NH1	135	20	62	67,6	40	6	49,5	20
NH2	150	26	62	67,6	48	6	57,5	20
NH3	150	32	62	67,6	60	6	69,5	20
NH1-XL	190	20	119,4	125	40,8	6	50,3	20
NH2-XL	205	26	119,4	125	48	6	57,5	20
NH3-L	205	32	119,4	125	60	6	69,5	20

NH-N NEUTROS NH NH NEUTRAL LINKS



DIMENSIONES

DIMENSIONS

NH4

(MODELO NO AISLADO – NOT INSULATED VERSION)

