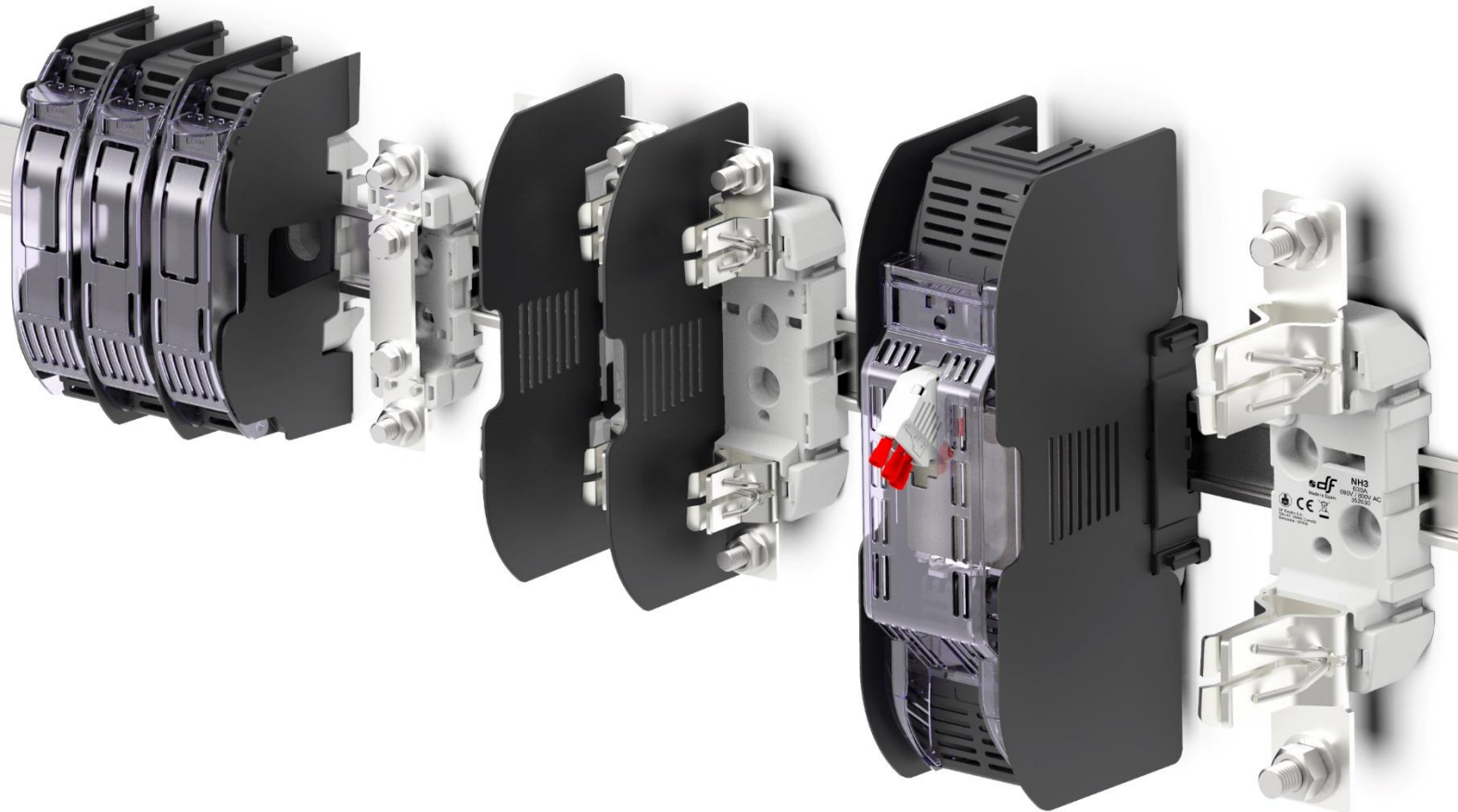


BASES INDUSTRIALES NH-ST
PARA FUSIBLES NH
INDUSTRIAL NH-ST FUSE BASES
FOR NH FUSE LINKS

NHST



Oficina Central y Fábrica / Head Office

Silici, 67-69 08940 Cornellà de Llobregat - Barcelona (SPAIN)

Tel. (+34) 93 377 85 85 - Fax. (+34) 93 377 82 82

info@dfelectric.es

www.dfelectric.es

NH-ST

BASES INDUSTRIALES NH-ST PARA FUSIBLES NH INDUSTRIAL NH-ST FUSE BASES FOR NH FUSE LINKS

Los datos reflejados en esta ficha técnica están sujetos a la correcta instalación del producto de acuerdo con las instrucciones del fabricante, normas y reglamentos de instalación y conforme a las reglas profesionales, debidamente mantenidos y utilizados en las aplicaciones para las que está previsto.

Los productos descritos en este documento han sido diseñados, desarrollados y ensayados de acuerdo a una normativa específica. Se consideran componentes que son integrados formando parte de una instalación, máquina o equipo.

La garantía y responsabilidad del correcto funcionamiento general del conjunto corresponde al fabricante de la instalación, máquina o equipo.

DF Electric S.A. no puede garantizar las características de una instalación, máquina o equipo que ha sido diseñado por un tercero. Una vez que se ha seleccionado un producto, el usuario debe comprobar que es apropiado para su aplicación, mediante las verificaciones y/o ensayos que considere oportunos.

DF ELECTRIC se reserva el derecho a cambiar las dimensiones, especificaciones, materiales o el diseño de sus productos en cualquier momento sin previo aviso.

The data reflected in this technical record are subject to the correct installation of the product in accordance with manufacturer's instructions, relevant installation standards and professional practices, maintained and used in applications for which they were made.

The products described in this document have been designed, developed and tested in accordance with specific standard. They are considered components that are integrated as part of installation, machine or equipment.

The correct general operation of the referred product is responsibility of the manufacturer of the installation, machine or equipment.

DF Electric SA cannot guarantee the characteristics of an installation, machine or equipment that has been designed by a third party. Once a product has been selected, the user must verify that it is appropriate for its application, through the verifications and/or tests that it deems appropriate.

DF ELECTRIC retains the right to change the dimensions, specifications, materials or design of its products at any time with or without notice.



De acuerdo a la directiva de residuos de aparatos eléctricos y electrónicos (WEEE) el material eléctrico no debe formar parte de los residuos habituales.

Este símbolo alerta a los usuarios de que estos productos deben reciclarse según la normativa local medioambiental de eliminación de residuos



According to the waste of electrical and electronic equipment directive, electrical material should not be part of the usual waste.

This symbol alerts users that these products should be recycled according to local environmental waste disposal regulations.



El logotipo "experto electrotécnico" marcado sobre los productos incluidos en la presente ficha técnica indica que la instalación de estos productos debe ser realizada por personal experto con conocimientos especializados.



The "electro technical expert" logo marked on the products included in this data sheet indicates that the installation of these products must be carried out by expert personnel with specialized knowledge.



Para evitar riesgo eléctrico, realice la instalación sin tensión.



To prevent electrical hazards, carry out the installation without voltage.



Advertencias de seguridad



Safety notice

NH-ST

BASES INDUSTRIALES NH-ST PARA
FUSIBLES NH
INDUSTRIAL NH-ST FUSE BASES FOR
NH FUSE LINKS

| DESCRIPCIÓN DEL PRODUCTO | PRODUCT DESCRIPTION |
|---|--|
| <ul style="list-style-type: none">▶ Bases porta fusibles para fusibles de cuchilla (NH)▶ Fabricadas con materiales de calidad:<ul style="list-style-type: none">- Contactos de cobre electrolítico plateados.- Materiales plásticos auto extingüibles y de alta resistencia a la temperatura...- Todos los materiales utilizados son conformes a la Directiva europea RoHS (Restricción de ciertas sustancias peligrosas en el material eléctrico).▶ Montaje sobre rail DIN/EN o fijación mediante tornillos.▶ Modelos unipolares y tripolares.▶ Conexión mediante tornillos, tuerca fija o brida.▶ Contactos pinza con doble resorte para un óptimo funcionamiento.▶ Amplia gama de accesorios que permiten una ejecución IP20:<ul style="list-style-type: none">- Cubrebornes, tapafusibles, separadores.▶ Posibilidad de crear conjuntos multipolares mediante accesorios.▶ Fabricadas según normas IEC, EN y DIN. | <ul style="list-style-type: none">▶ Fuse bases for NH fuse links.▶ Manufactured with a high quality materials:<ul style="list-style-type: none">- Silver plated copper contacts.- Plastic materials with high temperature resistance and self-extinguishable.- All the materials are according to the European Directive RoHS (Restriction of the use of certain hazardous substances in electrical material).▶ For mounting on DIN/EN rail or with screw fixing.▶ Single-phase or three-pole type.▶ Connection by screws, fixed nut or clamps.▶ Contacts with double spring in order to obtain an optimum operation.▶ Wide range of accessories that enables IP20 protection index:<ul style="list-style-type: none">- Contact covers, fuse link covers, partition walls.▶ Multi-pole units can be made with connection accessories.▶ Manufactured according IEC, EN and DIN standards. |
| NORMAS | STANDARDS |
| IEC/EN 60269-1 IEC/EN 60269-2 DIN 43620 | IEC/EN 60269-1 IEC/EN 60269-2 DIN 43620 |

| NH00 690V / 800V 160A | 01.- UNIPOLARES FIJACIÓN TORNILLO / SINGLE POLE SCREW FIXING | | |
|--------------------------|--|-------------------------|------------------------|
| | Referencia/Code | Descripción | Description |
| | 354100 | CONEXIÓN TORNILLO | SCREW CONNECTION |
| | 354105 | CONEXIÓN BRIDA | CLAMP CONNECTION |
| | 354110 | CONEXIÓN BRIDA-TORNILLO | CLAMP-SCREW CONNECTION |
| | 354115 | CONEXIÓN TUERCA FIJA | FIXED CONNECTION |
| | 02.- UNIPOLARES FIJACIÓN RAIL DIN+TORNILLO / SINGLE POLE RAIL+SCREW FIXING | | |
| | Referencia/Code | Descripción | Description |
| | 352100 | CONEXIÓN TORNILLO | SCREW CONNECTION |
| | 352105 | CONEXIÓN BRIDA | CLAMP CONNECTION |
| 352110 | CONEXIÓN BRIDA-TORNILLO | CLAMP-SCREW CONNECTION | |
| 352115 | CONEXIÓN TUERCA FIJA | FIXED SCREW CONNECTION | |

NH-ST

BASES INDUSTRIALES NH-ST PARA
FUSIBLES NH
INDUSTRIAL NH-ST FUSE BASES FOR
NH FUSE LINKS

03.- TRIPOLAR FIJACIÓN RAIL DIN+ TORNILLO / THREE POLE RAIL+SCREW FIXING

| Referencia/Code | Descripción | Description |
|-----------------|-------------------------|------------------------|
| 353102 | CONEXIÓN TORNILLO | SCREW CONNECTION |
| 353105 | CONEXIÓN BRIDA | CLAMP CONNECTION |
| 353110 | CONEXIÓN BRIDA-TORNILLO | CLAMP-SCREW CONNECTION |
| 353115 | CONEXIÓN TUERCA FIJA | FIXED NUT CONNECTION |

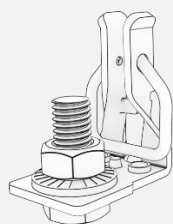
04.- TRIPOLAR FIJACIÓN RAIL DIN+TORNILLO BORNE PROTEGIDO THREE POLE RAIL+SCREW FIXING WITH CONTACTS

| Referencia/Code | Descripción | Description |
|-----------------|-------------------------|------------------------|
| 335120 | CONEXIÓN TORNILLO | SCREW CONNECTION |
| 335125 | CONEXIÓN BRIDA | CLAMP CONNECTION |
| 335130 | CONEXIÓN BRIDA-TORNILLO | CLAMP-SCREW CONNECTION |
| 335135 | CONEXIÓN TUERCA FIJA | FIXED NUT CONNECTION |

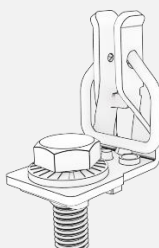
05.- TRIPOLAR FIJACIÓN RAIL DIN+ TORNILLO PROTECCIÓN IP20 THREE POLE RAIL+SCREW FIXING IP20 PROTECTION

| Referencia/Code | Descripción | Description |
|-----------------|-------------------------|------------------------|
| 334717 | CONEXIÓN TORNILLO | SCREW CONNECTION |
| 334720 | CONEXIÓN BRIDA | CLAMP CONNECTION |
| 334725 | CONEXIÓN BRIDA-TORNILLO | CLAMP-SCREW CONNECTION |
| 334730 | CONEXIÓN TUERCA FIJA | FIXED NUT CONNECTION |

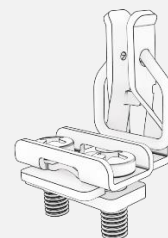
DETALLE DE TIPOS DE CONEXIÓN / CONNECTION TYPES DETAIL



CONEXIÓN TORNILLO
SCREW CONNECTION



CONEXIÓN TUERCA FIJA
FIXED NUT CONNECTION



CONEXIÓN BRIDA
CLAMP CONNECTION

NH0 690V
160A

01.- UNIPOLARES FIJACIÓN TORNILLO / SINGLE POLE SCREW FIXING

| Referencia/Code | Descripción | Description |
|-----------------|-------------------|------------------|
| 354160 | CONEXIÓN TORNILLO | SCREW CONNECTION |

02.- UNIPOLARES FIJACIÓN RAIL DIN+TORNILLO / SINGLE POLE RAIL+SCREW FIXING

| Referencia/Code | Descripción | Description |
|-----------------|-------------------|------------------|
| 352160 | CONEXIÓN TORNILLO | SCREW CONNECTION |

03.- TRIPOLAR FIJACIÓN TORNILLO / THREE POLE SCREW FIXING

| Referencia/Code | Descripción | Description |
|-----------------|-------------------|------------------|
| 355160 | CONEXIÓN TORNILLO | SCREW CONNECTION |

04.- TRIPOLAR FIJACIÓN RAIL DIN+TORNILLO / THREE POLE RAIL+SCREW FIXING

| Referencia/Code | Descripción | Description |
|-----------------|-------------------|------------------|
| 353160 | CONEXIÓN TORNILLO | SCREW CONNECTION |

NH1 690V / 800V
250A

01.- UNIPOLAR FIJACIÓN RAIL DIN+TORNILLO / SINGLE POLE RAIL+SCREW FIXING

| Referencia/Code | Descripción | Description |
|-----------------|-------------------|------------------|
| 352300 | CONEXIÓN TORNILLO | SCREW CONNECTION |

02.- TRIPOLAR FIJACIÓN RAIL DIN+TORNILLO / THREE POLE RAIL+SCREW FIXING

| Referencia/Code | Descripción | Description |
|-----------------|-------------------|------------------|
| 353300 | CONEXIÓN TORNILLO | SCREW CONNECTION |

NH-ST

BASES INDUSTRIALES NH-ST PARA
FUSIBLES NH
INDUSTRIAL NH-ST FUSE BASES FOR
NH FUSE LINKS

| | | | |
|---------------------------------|---|----------------------|----------------------|
| NH2 690V / 800V 400A | 01.- UNIPOLAR FIJACIÓN RAIL DIN+TORNILLO / SINGLE POLE RAIL+SCREW FIXING | | |
| | Referencia/Code | Descripción | Description |
| | 352400 | CONEXIÓN TORNILLO | SCREW CONNECTION |
| | 354251 | CONEXIÓN TUERCA FIJA | FIXED NUT CONNECTION |
| | 02.- TRIPOLAR FIJACIÓN RAIL DIN+TORNILLO / THREE POLE RAIL+SCREW FIXING | | |
| | Referencia/Code | Descripción | Description |
| 353400 | CONEXIÓN TORNILLO | SCREW CONNECTION | |

| | | | |
|---------------------------------|---|-------------------|------------------|
| NH3 690V / 800V 630A | 01.- UNIPOLAR FIJACIÓN RAIL DIN+TORNILLO / SINGLE POLE RAIL+SCREW FIXING | | |
| | Referencia/Code | Descripción | Description |
| | 352630 | CONEXIÓN TORNILLO | SCREW CONNECTION |
| | 02.- TRIPOLAR FIJACIÓN RAIL DIN+TORNILLO / THREE POLE RAIL+SCREW FIXING | | |
| | Referencia/Code | Descripción | Description |
| | 353630 | CONEXIÓN TORNILLO | SCREW CONNECTION |

| | | | |
|-----------------|---|------------------------------|--------------------|
| NH4 690V | 01.- UNIPOLAR FIJACIÓN TORNILLO 1250A / SINGLE POLE SCREW FIXING 1250A | | |
| | Referencia/Code | Descripción | Description |
| | 354125 | CONEXIÓN TORNILLO | SCREW CONNECTION |
| | 354128 | CONEXIÓN 2 TORNILLOS | 2 SCREW CONNECTION |
| | 02.- UNIPOLAR FIJACIÓN TORNILLO 2500A / SINGLE POLE SCREW FIXING 2500A | | |
| | Referencia/Code | Descripción | Description |
| 354127 | CONJUNTO BASE NH4 ST 2500A | ST NH4 FUSE BASE 2500A GROUP | |

NH-ST

BASES INDUSTRIALES NH-ST PARA
FUSIBLES NH
INDUSTRIAL NH-ST FUSE BASES FOR
NH FUSE LINKS

NH0...NH4 690V CON
MICRO

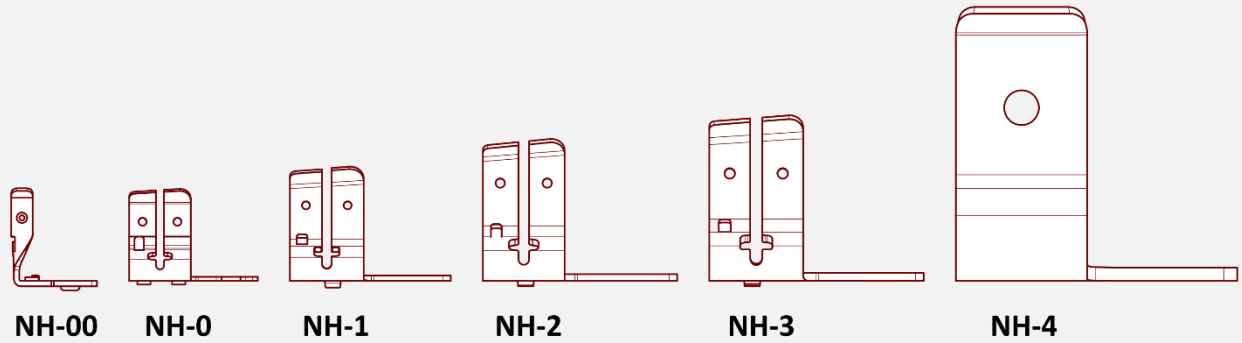
01.- UNIPOLAR FIJACIÓN RAIL DIN+TORNILLO / SINGLE POLE RAIL+SCREW FIXING

| Tamaño/Size | Referencia/Code | Descripción | Description |
|-------------|-----------------|-------------------|------------------|
| NH0 160A | 356160 | CONEXIÓN TORNILLO | SCREW CONNECTION |
| NH1 250A | 356250 | CONEXIÓN TORNILLO | SCREW CONNECTION |
| NH2 400A | 356400 | CONEXIÓN TORNILLO | SCREW CONNECTION |
| NH3 630A | 356630 | CONEXIÓN TORNILLO | SCREW CONNECTION |

02.- UNIPOLAR FIJACIÓN TORNILLO / SINGLE POLE SCREW FIXING

| Tamaño/Size | Referencia/Code | Descripción | Description |
|-------------|-----------------|----------------------|--------------------|
| NH4 1250A | 356125 | CONEXIÓN TORNILLO | SCREW CONNECTION |
| NH4 1250A | 356128 | CONEXIÓN 2 TORNILLOS | 2 SCREW CONNECTION |
| NH4 2500A | 356127 | CONEXIÓN TORNILLO | SCREW CONNECTION |

FORMA CONTACTOS NH-ST / NH-ST CONTACT SHAPES



NH-ST

BASES INDUSTRIALES NH-ST PARA
FUSIBLES NH
INDUSTRIAL NH-ST FUSE BASES FOR
NH FUSE LINKS

ACCESORIOS NH / NH ACCESSORIES

PLACAS DE SEPARACIÓN / PARTITION WALLS

| Tamaño/Size | (A) | Referencia/Code | Descripción | Description |
|-------------|------|-----------------|-------------------------|----------------------------|
| NH00 | 160 | 326100 | FIJACIÓN ZÓCALO | DIRECTLY FIXED TO THE BODY |
| NH0 | 160 | 326160 | FIJACIÓN ZÓCALO | DIRECTLY FIXED TO THE BODY |
| NH1 | 250 | 326200 | FIJACIÓN DISTANCIADOR | FIXED TO SEPARATORS |
| | | 326201 | FIJACIÓN ZÓCALO | DIRECTLY FIXED TO THE BODY |
| NH2 | 400 | 326250 | FIJACIÓN DISTANCIADOR | FIXED TO SEPARATORS |
| NH3 | 630 | 326630 | FIJACIÓN DISTANCIADOR | FIXED TO SEPARATORS |
| NH4 | 1250 | 343125 | FIJACIÓN ESCUADRA/TORN. | SQUARE FIXING |

DISTANCIADORES/ SEPARATORS

| Tamaño/Size | (A) | Referencia/Code | Descripción | Description |
|-------------|-----|-----------------|-------------|-------------|
| NH00 | 160 | 325100 | | |
| NH0 | 160 | 325160 | | |
| NH1 | 250 | 325250 | | |
| NH2 | 400 | 325400 | | |
| NH3 | 630 | 325630 | | |

CUBREBORNES / TERMINAL COVERS

| Tamaño/Size | (A) | Referencia/Code | Descripción | Description |
|-------------|-----|-----------------|------------------------------------|---|
| NH00 | 160 | 325000 | UNIPOLAR | SINGLE POLE |
| NH00 | 160 | 325009 | TRIPOLAR INTEGRAL C/SEPARADORES | THREE POLE INTEGRAL WITH PARTITION WALLS |
| NH0 | 160 | 325001 | UNIPOLAR | SINGLE POLE |
| NH1 | 250 | 325005 | UNIPOLAR | SINGLE POLE |
| NH2 | 400 | 325003 | UNIPOLAR | SINGLE POLE |
| NH3 | 630 | 325007 | UNIPOLAR | SINGLE POLE |

TAPAFUSIBLES / FUSE LINKS COVERS

| Tamaño/Size | (A) | Referencia/Code | Descripción | Description |
|-------------|-----|-----------------|-------------|-------------|
| NH00 | 160 | 325010 | | |
| NH0 | 160 | 325015 | | |
| NH1 | 250 | 325018 | | |
| NH2 | 400 | 325020 | | |
| NH3 | 630 | 325025 | | |

KITS DE PROTECCIÓN IP20 / IP20 PROTECTIONS KITS

| Tamaño/Size | (A) | Referencia/Code | Descripción | Description |
|-------------|-----|-----------------|-------------|-------------|
| NH00 | | 325030 | UNIPOLAR | SINGLE POLE |
| NH00 | | 325032 | TRIPOLAR | THREE POLE |
| NH0 | | 325036 | TRIPOLAR | THREE POLE |
| NH1 | | 325042 | TRIPOLAR | THREE POLE |
| NH2 | | 325046 | TRIPOLAR | THREE POLE |
| NH3 | | 325051 | TRIPOLAR | THREE POLE |

RECAMBIO MICRORRUPTOR PARA BASES NH / MICROSWITCHES REPLACEMENT FOR NH FUSE BASES

| Tamaño/Size | (A) | Referencia/Code | Descripción | Description |
|-------------|-----|-----------------|---------------------------|--------------------------|
| NH0 | 160 | 357160 | 16A-250V PRESENCIA/FUSION | 16A-250V PRESENCE/FUSION |
| NH1 | 250 | 357250 | 16A-250V PRESENCIA/FUSION | 16A-250V PRESENCE/FUSION |
| NH2 | 400 | 357400 | 16A-250V PRESENCIA/FUSION | 16A-250V PRESENCE/FUSION |
| NH3 | 630 | 357630 | 16A-250V PRESENCIA/FUSION | 16A-250V PRESENCE/FUSION |

NH-ST

BASES INDUSTRIALES NH-ST PARA
FUSIBLES NH
INDUSTRIAL NH-ST FUSE BASES FOR
NH FUSE LINKS

ACCESORIOS NH / NH ACCESSORIES

MICRORRUPTOR PARA FUSIBLES NH / MICROSWITCHES FOR NH FUSE LINKS

| Tamaño/Size | Referencia/Code | Descripción | Description |
|---|-----------------|--------------------------|-------------------------|
| NH000 / NH00 / NH0 / NHC1 / NH1 / NHC2 / NH2 / NHC3 / NH3 | 357010 | 5A-250V PRESENCIA/FUSION | 5A-250V PRESENCE/FUSION |

CUCHILLAS DE NEUTRO / NEUTRAL LINKS

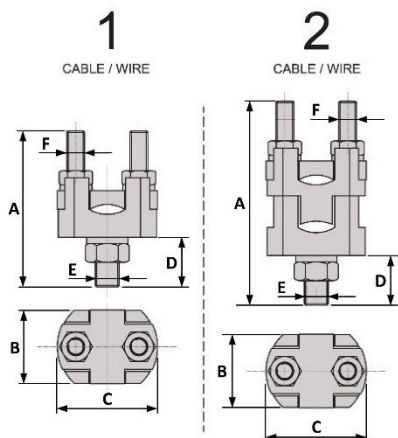
| Tamaño/Size | (A) | Referencia Code | |
|-------------|------|-----------------|--|
| NH00 | 160 | 341100 | |
| NH0 | 160 | 341160 | |
| NH1 | 250 | 341250 | |
| NH2 | 400 | 341400 | |
| NH3 | 630 | 341630 | |
| NH4 | 1250 | 340125 | |

MANETA DE EXTRACCIÓN / REPLACEMENT HANDLE

| Tamaño/Size | Referencia/Code | |
|--------------|-----------------|--|
| 00-0-1-2-3-4 | 340001 | |

BORNES / TERMINALS

| Tamaño/Size | Sección Cross section (mm ²) | Referencia Code | Descripción Description | Compatible con Protección IP20 Compatible with IP20 Protection |
|-------------|--|-----------------|-------------------------|--|
| 00 | 50/6 | 343100 | 1 CABLE | Sí / Yes |
| 00 / 0 | 95/10 | 343160 | 1 CABLE | Sí / Yes |
| 1 | 150/16 | 343400 | 1 CABLE | Sí / Yes |
| 2 / 3 | 240/50 | 343630 | 1 CABLE | Sí / Yes |
| 00 | 50/6 | 344100 | 2 CABLES | Sí / Yes |
| 00 / 0 | 95/10 | 344160 | 2 CABLES | No |
| 1 | 150/25-16 | 344400 | 2 CABLES | No |
| 2 / 3 | 240/95-50 | 344630 | 2 CABLES | No |



| REF. | Tamaño Size | Secc. cables Wire section (mm ²) | | Fijación borne Terminal fixation | | Apriete cable Wire tightening torque | | A | B | C | D | Ø Orificio recomendado Suggested hole Ø |
|-------------------------|---------------------|--|------|----------------------------------|--|--------------------------------------|--|-----|----|----|----|---|
| | | Min. | Max. | Tamaño Size E | Par apriete Máximo Maximum Tightening torque | Tamaño Size F | Par apriete Máximo Maximum Tightening torque | | | | | |
| 1 Cable / Wire | | | | | | | | | | | | |
| 343100 | 50 mm ² | 6 | 50 | M6 | 6 Nm | M5 | 8 Nm | 42 | 18 | 27 | 13 | 7...8 |
| 343160 | 95 mm ² | 10 | 95 | M8 | 10 Nm | M6 | 12 Nm | 51 | 24 | 33 | 16 | 9'5...11 |
| 343400 | 150 mm ² | 16 | 150 | M10 | 20 Nm | M8 | 25 Nm | 58 | 26 | 41 | 18 | 11...13 |
| 343630 | 240 mm ² | 50 | 240 | M12 | 35 Nm | M10 | 40 Nm | 67 | 36 | 52 | 20 | 13'5...15 |
| 2 Cables / Wires | | | | | | | | | | | | |
| 344100 | 50 mm ² | 6 | 50 | M6 | 6 Nm | M5 | 8 Nm | 47 | 18 | 27 | 12 | 7...8 |
| 344160 | 95 mm ² | 10 | 95 | M8 | 10 Nm | M6 | 12 Nm | 72 | 24 | 33 | 16 | 9'5...11 |
| 344400 | 150 mm ² | 25 | 150 | M10 | 20 Nm | M8 | 25 Nm | 84 | 26 | 41 | 17 | 11...13 |
| 344630 | 240 mm ² | 95 | 240 | M12 | 35 Nm | M10 | 40 Nm | 108 | 36 | 52 | 20 | 13'5...15 |

NH-ST

BASES INDUSTRIALES NH-ST PARA
FUSIBLES NH
INDUSTRIAL NH-ST FUSE BASES FOR
NH FUSE LINKS

| CARACTERÍSTICAS TÉCNICAS | TECHNICAL FEATURES | | | | | | | | | | | | | | | | | | | | |
|---|--|-------|-----|-------|-----|-------|-----|-------|-----|--------|--|--------|-------|-----|-------|-----|-------|-----|-------|-----|--------|
| <p>Materiales:</p> <p>CONTACTOS</p> <ul style="list-style-type: none">· Cobre electrolítico plateados <p>ZÓCALO (NH00 / 0 / 1-2 y 3)</p> <ul style="list-style-type: none">· Termoplástico con alta resistencia a la temperatura· Grado de inflamabilidad: (UL94) V0· Hilo incandescente: (IEC-60695) 960°C· Resistencia corrientes de fuga (IEC-112) CTI > 600V <p>ZÓCALO(NH4)</p> <ul style="list-style-type: none">· Termoestable con alta resistencia a la temperatura· Resistencia corrientes de fuga CTI > 600V <p>PLACAS DE SEPARACION (NH0/00 / 1 / 2)</p> <ul style="list-style-type: none">· Termoplástico con alta resistencia a la temperatura· Grado de inflamabilidad: (UL94) V0· Hilo incandescente: (IEC-60695) 960°C <p>PLACAS DE SEPARACION (NH3 y 4)</p> <ul style="list-style-type: none">· Laminado de resina fenólica <p>DISTANCIADORES (NH00 / 0 / 1 / 2 y 3)</p> <ul style="list-style-type: none">· Termoplástico con alta resistencia a la temperatura· Grado de inflamabilidad: (UL94) V0· Hilo incandescente: (IEC-60695) 960°C <p>CUBREBORNES (NH00 / 0 / 1 / 2 y 3)</p> <ul style="list-style-type: none">· Termoplástico con alta resistencia a la temperatura· Grado de inflamabilidad: (UL94) V0· Hilo incandescente: (IEC-60695) 960°C <p>TAPAFUSIBLES (NH00 / 0 / 1 / 2 y 3)</p> <ul style="list-style-type: none">· Termoplástico con alta resistencia a la temperatura· Grado de inflamabilidad: (UL94) V2· Hilo incandescente: (IEC-60695) 850°C <p>BORNES ACCESORIOS (NH00 ... 3)</p> <ul style="list-style-type: none">· Latón estañado· Tornillería en acero cincado | <p>Materiales:</p> <p>CONTACTS</p> <ul style="list-style-type: none">· Silver plated copper contacts. <p>BODY (NH00 / 0 / 1-2 and 3)</p> <ul style="list-style-type: none">· Thermoplastic, high resistance to temperature· Flammability: (UL94) V0· Glow wire test: (IEC-60695) 960°C· Tracking resistance (IEC-112) CTI > 600V <p>BODY(NH4)</p> <ul style="list-style-type: none">· Thermosetting, high resistance to temperature· Tracking resistance CTI > 600V <p>SEPARATING PLATES (NH0/00 / 1 / 2)</p> <ul style="list-style-type: none">· Thermoplastic, high resistance to temperature· Flammability: (UL94) V0· Glow wire test: (IEC-60695) 960°C <p>SEPARATING PLATES (NH3 and 4)</p> <ul style="list-style-type: none">· Laminated phenolic resin <p>SEPARATORS(NH00 / 0 / 1 / 2 and 3)</p> <ul style="list-style-type: none">· Thermoplastic, high resistance to temperature· Flammability: (UL94) V0· Glow wire test: (IEC-60695) 960°C <p>TERMINAL COVERS (NH00 / 0 / 1 / 2 and 3)</p> <ul style="list-style-type: none">· Thermoplastic, high resistance to temperature· Flammability: (UL94) V0· Glow wire test: (IEC-60695) 960°C <p>FUSE LINKS COVERS (NH00 / 0 / 1 / 2 and 3)</p> <ul style="list-style-type: none">· Thermoplastic, high resistance to temperature· Flammability: (UL94) V2· Glow wire test: (IEC-60695) 850°C <p>ACCESSORY TERMINALS (NH00...3)</p> <ul style="list-style-type: none">· Tin plated brass· Zinc plated steel screws | | | | | | | | | | | | | | | | | | | | |
| <p>Intensidad asignada:</p> <table border="1"><tbody><tr><td>NH00/0</td><td>160 A</td></tr><tr><td>NH1</td><td>250 A</td></tr><tr><td>NH2</td><td>400 A</td></tr><tr><td>NH3</td><td>630 A</td></tr><tr><td>NH4</td><td>1250 A</td></tr></tbody></table> | NH00/0 | 160 A | NH1 | 250 A | NH2 | 400 A | NH3 | 630 A | NH4 | 1250 A | <p>Rated current:</p> <table border="1"><tbody><tr><td>NH00/0</td><td>160 A</td></tr><tr><td>NH1</td><td>250 A</td></tr><tr><td>NH2</td><td>400 A</td></tr><tr><td>NH3</td><td>630 A</td></tr><tr><td>NH4</td><td>1250 A</td></tr></tbody></table> | NH00/0 | 160 A | NH1 | 250 A | NH2 | 400 A | NH3 | 630 A | NH4 | 1250 A |
| NH00/0 | 160 A | | | | | | | | | | | | | | | | | | | | |
| NH1 | 250 A | | | | | | | | | | | | | | | | | | | | |
| NH2 | 400 A | | | | | | | | | | | | | | | | | | | | |
| NH3 | 630 A | | | | | | | | | | | | | | | | | | | | |
| NH4 | 1250 A | | | | | | | | | | | | | | | | | | | | |
| NH00/0 | 160 A | | | | | | | | | | | | | | | | | | | | |
| NH1 | 250 A | | | | | | | | | | | | | | | | | | | | |
| NH2 | 400 A | | | | | | | | | | | | | | | | | | | | |
| NH3 | 630 A | | | | | | | | | | | | | | | | | | | | |
| NH4 | 1250 A | | | | | | | | | | | | | | | | | | | | |

NH-ST

BASES INDUSTRIALES NH-ST PARA
FUSIBLES NH
INDUSTRIAL NH-ST FUSE BASES FOR
NH FUSE LINKS

| <p>Tensión asignada:</p> <table border="1"><tr><td>NH00</td><td>690V / 800V AC</td><td rowspan="6">750V DC</td></tr><tr><td>NH0</td><td>690V AC</td></tr><tr><td>NH1</td><td>690V / 800V AC</td></tr><tr><td>NH2</td><td>690V / 800V AC</td></tr><tr><td>NH3</td><td>690V / 800V AC</td></tr><tr><td>NH4</td><td>690V AC</td></tr></table> | NH00 | 690V / 800V AC | 750V DC | NH0 | 690V AC | NH1 | 690V / 800V AC | NH2 | 690V / 800V AC | NH3 | 690V / 800V AC | NH4 | 690V AC | <p>Rated voltage:</p> <table border="1"><tr><td>NH00</td><td>690V / 800V AC</td><td rowspan="6">750V DC</td></tr><tr><td>NH0</td><td>690V AC</td></tr><tr><td>NH1</td><td>690V / 800V AC</td></tr><tr><td>NH2</td><td>690V / 800V AC</td></tr><tr><td>NH3</td><td>690V / 800V AC</td></tr><tr><td>NH4</td><td>690V AC</td></tr></table> | NH00 | 690V / 800V AC | 750V DC | NH0 | 690V AC | NH1 | 690V / 800V AC | NH2 | 690V / 800V AC | NH3 | 690V / 800V AC | NH4 | 690V AC | | | | | | | | | | | | | | | | |
|--|--|--------------------------|-----------------------|------|---------|------|----------------|------|---|------|----------------|------|---------|---|------|----------------|---------|------|---------|------|----------------|---|----------------|----------------------------|-----------------------|------|---------|------|-----|------|------|-----|------|------|-----|------|------|-----|------|------|-----|------|-------|
| NH00 | 690V / 800V AC | 750V DC | | | | | | | | | | | | | | | | | | | | | | | | | | | | | | | | | | | | | | | | | |
| NH0 | 690V AC | | | | | | | | | | | | | | | | | | | | | | | | | | | | | | | | | | | | | | | | | | |
| NH1 | 690V / 800V AC | | | | | | | | | | | | | | | | | | | | | | | | | | | | | | | | | | | | | | | | | | |
| NH2 | 690V / 800V AC | | | | | | | | | | | | | | | | | | | | | | | | | | | | | | | | | | | | | | | | | | |
| NH3 | 690V / 800V AC | | | | | | | | | | | | | | | | | | | | | | | | | | | | | | | | | | | | | | | | | | |
| NH4 | 690V AC | | | | | | | | | | | | | | | | | | | | | | | | | | | | | | | | | | | | | | | | | | |
| NH00 | 690V / 800V AC | 750V DC | | | | | | | | | | | | | | | | | | | | | | | | | | | | | | | | | | | | | | | | | |
| NH0 | 690V AC | | | | | | | | | | | | | | | | | | | | | | | | | | | | | | | | | | | | | | | | | | |
| NH1 | 690V / 800V AC | | | | | | | | | | | | | | | | | | | | | | | | | | | | | | | | | | | | | | | | | | |
| NH2 | 690V / 800V AC | | | | | | | | | | | | | | | | | | | | | | | | | | | | | | | | | | | | | | | | | | |
| NH3 | 690V / 800V AC | | | | | | | | | | | | | | | | | | | | | | | | | | | | | | | | | | | | | | | | | | |
| NH4 | 690V AC | | | | | | | | | | | | | | | | | | | | | | | | | | | | | | | | | | | | | | | | | | |
| <p>Potencia disipable:</p> <table border="1"><thead><tr><th></th><th>Asignada S/IEC60269-2</th><th>Máxima producto DF</th></tr></thead><tbody><tr><td>NH00</td><td>12 W</td><td>25 W</td></tr><tr><td>NH0</td><td>25 W</td><td>25 W</td></tr><tr><td>NH1</td><td>32 W</td><td>36 W</td></tr><tr><td>NH2</td><td>45 W</td><td>57 W</td></tr><tr><td>NH3</td><td>60 W</td><td>70 W</td></tr><tr><td>NH4</td><td>90 W</td><td>110 W</td></tr></tbody></table> | | Asignada S/IEC60269-2 | Máxima producto DF | NH00 | 12 W | 25 W | NH0 | 25 W | 25 W | NH1 | 32 W | 36 W | NH2 | 45 W | 57 W | NH3 | 60 W | 70 W | NH4 | 90 W | 110 W | <p>Power dissipation:</p> <table border="1"><thead><tr><th></th><th>According to IEC60269-2</th><th>Maximum DF product</th></tr></thead><tbody><tr><td>NH00</td><td>12 W</td><td>25 W</td></tr><tr><td>NH0</td><td>25 W</td><td>25 W</td></tr><tr><td>NH1</td><td>32 W</td><td>36 W</td></tr><tr><td>NH2</td><td>45 W</td><td>57 W</td></tr><tr><td>NH3</td><td>60 W</td><td>70 W</td></tr><tr><td>NH4</td><td>90 W</td><td>110 W</td></tr></tbody></table> | | According to IEC60269-2 | Maximum DF product | NH00 | 12 W | 25 W | NH0 | 25 W | 25 W | NH1 | 32 W | 36 W | NH2 | 45 W | 57 W | NH3 | 60 W | 70 W | NH4 | 90 W | 110 W |
| | Asignada S/IEC60269-2 | Máxima producto DF | | | | | | | | | | | | | | | | | | | | | | | | | | | | | | | | | | | | | | | | | |
| NH00 | 12 W | 25 W | | | | | | | | | | | | | | | | | | | | | | | | | | | | | | | | | | | | | | | | | |
| NH0 | 25 W | 25 W | | | | | | | | | | | | | | | | | | | | | | | | | | | | | | | | | | | | | | | | | |
| NH1 | 32 W | 36 W | | | | | | | | | | | | | | | | | | | | | | | | | | | | | | | | | | | | | | | | | |
| NH2 | 45 W | 57 W | | | | | | | | | | | | | | | | | | | | | | | | | | | | | | | | | | | | | | | | | |
| NH3 | 60 W | 70 W | | | | | | | | | | | | | | | | | | | | | | | | | | | | | | | | | | | | | | | | | |
| NH4 | 90 W | 110 W | | | | | | | | | | | | | | | | | | | | | | | | | | | | | | | | | | | | | | | | | |
| | According to IEC60269-2 | Maximum DF product | | | | | | | | | | | | | | | | | | | | | | | | | | | | | | | | | | | | | | | | | |
| NH00 | 12 W | 25 W | | | | | | | | | | | | | | | | | | | | | | | | | | | | | | | | | | | | | | | | | |
| NH0 | 25 W | 25 W | | | | | | | | | | | | | | | | | | | | | | | | | | | | | | | | | | | | | | | | | |
| NH1 | 32 W | 36 W | | | | | | | | | | | | | | | | | | | | | | | | | | | | | | | | | | | | | | | | | |
| NH2 | 45 W | 57 W | | | | | | | | | | | | | | | | | | | | | | | | | | | | | | | | | | | | | | | | | |
| NH3 | 60 W | 70 W | | | | | | | | | | | | | | | | | | | | | | | | | | | | | | | | | | | | | | | | | |
| NH4 | 90 W | 110 W | | | | | | | | | | | | | | | | | | | | | | | | | | | | | | | | | | | | | | | | | |
| <p>Grado de polución: 3</p> | <p>Pollution degree: 3</p> | | | | | | | | | | | | | | | | | | | | | | | | | | | | | | | | | | | | | | | | | | |
| <p>Categoría sobretensiones: IV</p> | <p>Overvoltage Category: IV</p> | | | | | | | | | | | | | | | | | | | | | | | | | | | | | | | | | | | | | | | | | | |
| <p>Tensión asignada soportada al impulso: 8 kV U imp.</p> | <p>Rated impulse withstand voltage: 8 kV U imp.</p> | | | | | | | | | | | | | | | | | | | | | | | | | | | | | | | | | | | | | | | | | | |
| <p>Resistencia al cortocircuito: 120 kA</p> | <p>Withstand rating (SCCR): 120 kA</p> | | | | | | | | | | | | | | | | | | | | | | | | | | | | | | | | | | | | | | | | | | |
| <p>Índice de protección:</p> <table border="1"><tr><td>NH00</td><td rowspan="5">IP00 / IP20</td></tr><tr><td>NH0</td></tr><tr><td>NH1</td></tr><tr><td>NH2</td></tr><tr><td>NH3</td></tr><tr><td>NH4</td><td>IP00</td></tr></table> | NH00 | IP00 / IP20 | NH0 | NH1 | NH2 | NH3 | NH4 | IP00 | <p>Protection index:</p> <table border="1"><tr><td>NH00</td><td rowspan="5">IP00 / IP20</td></tr><tr><td>NH0</td></tr><tr><td>NH1</td></tr><tr><td>NH2</td></tr><tr><td>NH3</td></tr><tr><td>NH4</td><td>IP00</td></tr></table> | NH00 | IP00 / IP20 | NH0 | NH1 | NH2 | NH3 | NH4 | IP00 | | | | | | | | | | | | | | | | | | | | | | | | | | |
| NH00 | IP00 / IP20 | | | | | | | | | | | | | | | | | | | | | | | | | | | | | | | | | | | | | | | | | | |
| NH0 | | | | | | | | | | | | | | | | | | | | | | | | | | | | | | | | | | | | | | | | | | | |
| NH1 | | | | | | | | | | | | | | | | | | | | | | | | | | | | | | | | | | | | | | | | | | | |
| NH2 | | | | | | | | | | | | | | | | | | | | | | | | | | | | | | | | | | | | | | | | | | | |
| NH3 | | | | | | | | | | | | | | | | | | | | | | | | | | | | | | | | | | | | | | | | | | | |
| NH4 | IP00 | | | | | | | | | | | | | | | | | | | | | | | | | | | | | | | | | | | | | | | | | | |
| NH00 | IP00 / IP20 | | | | | | | | | | | | | | | | | | | | | | | | | | | | | | | | | | | | | | | | | | |
| NH0 | | | | | | | | | | | | | | | | | | | | | | | | | | | | | | | | | | | | | | | | | | | |
| NH1 | | | | | | | | | | | | | | | | | | | | | | | | | | | | | | | | | | | | | | | | | | | |
| NH2 | | | | | | | | | | | | | | | | | | | | | | | | | | | | | | | | | | | | | | | | | | | |
| NH3 | | | | | | | | | | | | | | | | | | | | | | | | | | | | | | | | | | | | | | | | | | | |
| NH4 | IP00 | | | | | | | | | | | | | | | | | | | | | | | | | | | | | | | | | | | | | | | | | | |
| <p>Temperatura ambiente de servicio: -20°C.....80°C</p> <p>Temperatura de almacenado: -40°C.....80°C</p> | <p>Ambient temperature of service: -20°C.....80°C</p> <p>Storage temperature: -40°C.....80°C</p> | | | | | | | | | | | | | | | | | | | | | | | | | | | | | | | | | | | | | | | | | | |

NH-ST

BASES INDUSTRIALES NH-ST PARA
FUSIBLES NH
INDUSTRIAL NH-ST FUSE BASES FOR
NH FUSE LINKS

Corrección de corriente admisible en función de la temperatura ambiente:

| | |
|------|------|
| 20°C | 1 |
| 30°C | 0,95 |
| 40°C | 0,90 |
| 50°C | 0,80 |
| 60°C | 0,70 |
| 70°C | 0,60 |
| 80°C | 0,50 |

Correction of the admissible current in function of the ambient temperature:

| | |
|------|------|
| 20°C | 1 |
| 30°C | 0,95 |
| 40°C | 0,90 |
| 50°C | 0,80 |
| 60°C | 0,70 |
| 70°C | 0,60 |
| 80°C | 0,50 |

CARACTERÍSTICAS DE UTILIZACIÓN

APPLICATION CHARACTERISTICS

Fijación mediante tornillo y sobre rail DIN/EN estándar DIN 46277/1-3 (EN50022)

For mounting with screws and DIN/EN standard rail DIN 46277/1-3 (EN50022)

Embornado:

| | |
|------|----------------|
| NH00 | M8 - TORNILLO |
| NH00 | 2 x M6 - BRIDA |
| NH0 | M8 |
| NH1 | M10 |
| NH2 | M12 |
| NH3 | M12 |
| NH4 | M12 |

Connecting wire:

| | |
|------|----------------|
| NH00 | M8 - SCREW |
| NH00 | 2 x M6 - CLAMP |
| NH0 | M8 |
| NH1 | M10 |
| NH2 | M12 |
| NH3 | M12 |
| NH4 | M12 |

Par de apriete máximo en bornes:

| | |
|------|------------------|
| NH00 | 10 Nm - TORNILLO |
| NH00 | 4 Nm - BRIDA |
| NH0 | 10 Nm |
| NH1 | 32 Nm |
| NH2 | 40 Nm |
| NH3 | 40 Nm |
| NH4 | 40 Nm |

Maximum tightening torque on terminals:

| | |
|------|---------------|
| NH00 | 10 Nm - SCREW |
| NH00 | 4 Nm - CLAMP |
| NH0 | 10 Nm |
| NH1 | 32 Nm |
| NH2 | 40 Nm |
| NH3 | 40 Nm |
| NH4 | 40 Nm |

Par de apriete máximo fijación fusible:

| | |
|-----|-------|
| NH4 | 32 Nm |
|-----|-------|

Maximum tightening torque on fuselink fixation:

| | |
|-----|-------|
| NH4 | 32 Nm |
|-----|-------|

Par de apriete máximo fijación base a panel mediante tornillos:

| | |
|-----------|-------|
| NH00-0 | 5 Nm |
| NH1...NH3 | 12 Nm |
| NH4 | 30 Nm |

Maximum tightening torque fuseholder fixation with screws:

| | |
|-----------|-------|
| NH00-0 | 5 Nm |
| NH1...NH3 | 12 Nm |
| NH4 | 30 Nm |

NH-ST

BASES INDUSTRIALES NH-ST PARA
FUSIBLES NH
INDUSTRIAL NH-ST FUSE BASES FOR
NH FUSE LINKS

| Sección de cable para conexión brida: | Clamp connection cable cross-sectional area: | | | | | | | | | | | | | | | | | | | | | | |
|--|---|---------------------|--------------------|-----|------|--------|---------------------|--------------------|----------|-------------------|--------------------|---|--|--|-----|-----|------|-------|---------------------|--------------------|----------|-------------------|--------------------|
| <table border="1"><thead><tr><th></th><th></th><th>Min</th><th>Max</th></tr></thead><tbody><tr><td rowspan="2">NH00</td><td>Rígido</td><td>0,75mm²</td><td>70 mm²</td></tr><tr><td>Flexible</td><td>1 mm²</td><td>70 mm²</td></tr></tbody></table> | | | Min | Max | NH00 | Rígido | 0,75mm ² | 70 mm ² | Flexible | 1 mm ² | 70 mm ² | <table border="1"><thead><tr><th></th><th></th><th>Min</th><th>Max</th></tr></thead><tbody><tr><td rowspan="2">NH00</td><td>Solid</td><td>0,75mm²</td><td>70 mm²</td></tr><tr><td>Stranded</td><td>1 mm²</td><td>70 mm²</td></tr></tbody></table> | | | Min | Max | NH00 | Solid | 0,75mm ² | 70 mm ² | Stranded | 1 mm ² | 70 mm ² |
| | | Min | Max | | | | | | | | | | | | | | | | | | | | |
| NH00 | Rígido | 0,75mm ² | 70 mm ² | | | | | | | | | | | | | | | | | | | | |
| | Flexible | 1 mm ² | 70 mm ² | | | | | | | | | | | | | | | | | | | | |
| | | Min | Max | | | | | | | | | | | | | | | | | | | | |
| NH00 | Solid | 0,75mm ² | 70 mm ² | | | | | | | | | | | | | | | | | | | | |
| | Stranded | 1 mm ² | 70 mm ² | | | | | | | | | | | | | | | | | | | | |
| Posibilidad de uniones multipolares mediante accesorios de fácil montaje: Ver referencias en GAMA. | Easy multipolar assembly for end users by the use of accessories: See references on RANGE. | | | | | | | | | | | | | | | | | | | | | | |
| Bases con Microrruptor: · Detención presencia y fusión del fusible. · Contactos clase: C – NO – NC · Terminales faston 6,3x0,8mm · Intensidad y tensión asignadas: 10A 400V 16A 250V Ver referencias en GAMA. | Fuse holders with Microswitch: · Detection of presence and fusion the cartridge. · Type of contacts: C – NO – NC · Faston terminal 6,3x0,8mm · Rated current and voltage: 10A 400V 16A 250V See references on RANGE. | | | | | | | | | | | | | | | | | | | | | | |

PESOS

WEIGHT

| Descripción | Description | Peso / Weight |
|---------------------------------|----------------------------------|---------------|
| UNIPOLAR NH00 | NH00 SINGLE POLE | 120 gr. |
| TRIPOLAR NH00 VERSIÓN ESTANDAR | NH00 THREE POLE STANDARD VERSION | 370 gr. |
| TRIPOLAR NH00 VERSIÓN PROTEGIDA | NH00 THREEPOLE PROTECTED VERSION | 430 gr. |
| TRIPOLAR NH00 VERSIÓN IP20 | NH00 THREE POLE IP20 VERSION | 465 gr. |
| UNIPOLAR NH0 | NH0 SINGLE POLE | 180 gr. |
| UNIPOLAR NH1 | NH1 SINGLE POLE | 320 gr. |
| UNIPOLAR NH2 | NH2 SINGLE POLE | 500 gr. |
| UNIPOLAR NH3 | NH3 SINGLE POLE | 630 gr. |
| UNIPOLAR NH4 | NH4 SINGLE POLE | 2.450 gr. |
| UNIPOLAR NH4 2.500A | NH4 SINGLE POLE 2.500A | 5.650 gr. |
| TRIPOLAR NH0 | NH0 THREE POLE | 620 gr. |
| TRIPOLAR NH1 | NH1 THREE POLE | 1.000 gr. |
| TRIPOLAR NH2 | NH2 THREE POLE | 1.680 gr. |
| TRIPOLAR NH3 | NH3 THREE POLE | 2.040 gr. |
| UNIPOLAR NH0 CON MICRO | NH0 SINGLE POLE WITH MICRO | 250 gr. |
| UNIPOLAR NH1 CON MICRO | NH1 SINGLE POLE WITH MICRO | 440 gr. |
| UNIPOLAR NH2 CON MICRO | NH2 SINGLE POLE WITH MICRO | 560 gr. |
| UNIPOLAR NH3 CON MICRO | NH3 SINGLE POLE WITH MICRO | 690 gr. |
| UNIPOLAR NH4 CON MICRO | NH4 SINGLE POLE WITH MICRO | 2.560 gr. |

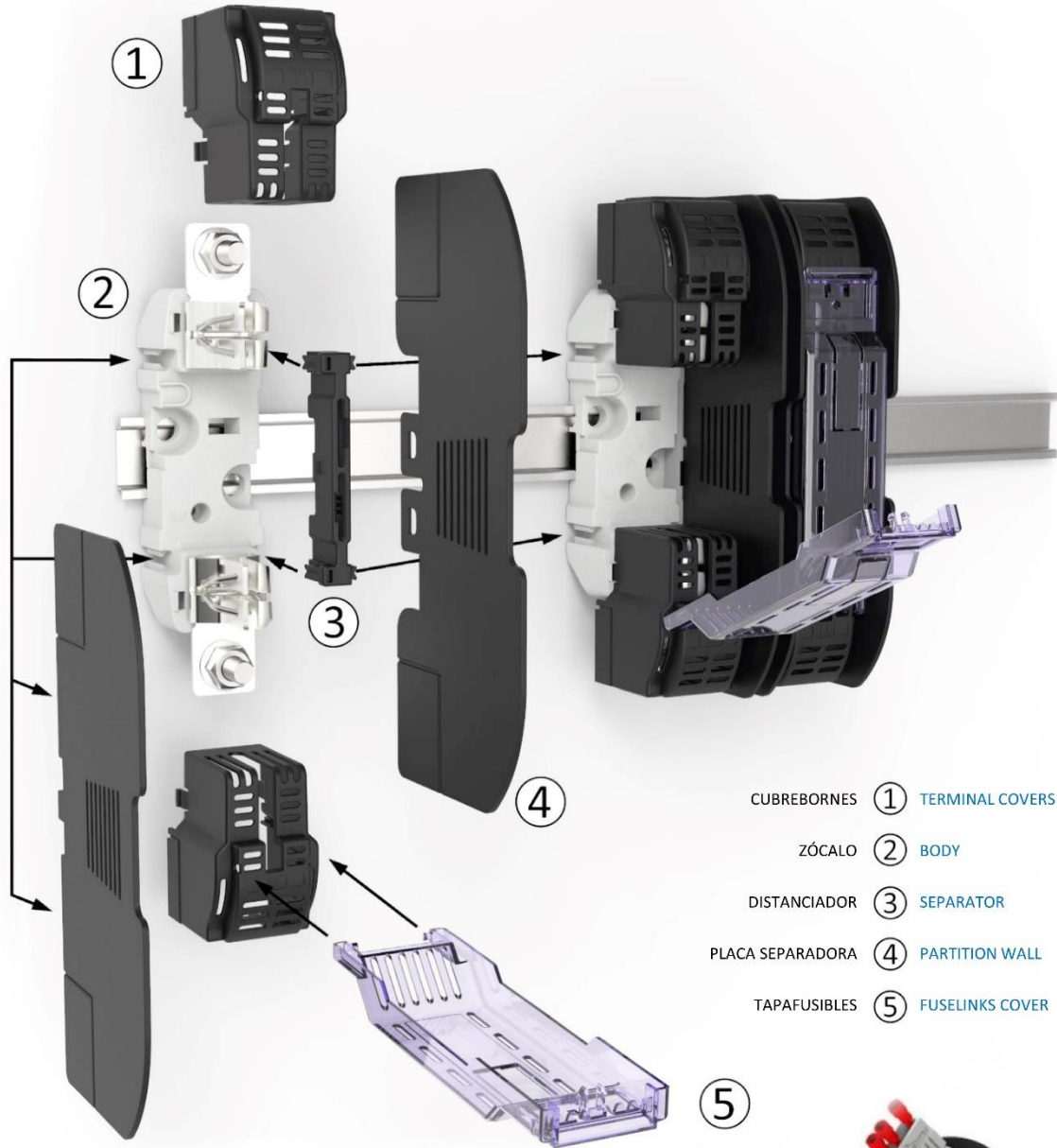
Pesos de producto sin embalaje. [Products without packing](#)

NH-ST

BASES INDUSTRIALES NH-ST PARA
FUSIBLES NH
INDUSTRIAL NH-ST FUSE BASES FOR
NH FUSE LINKS

MONTAJE ACCESORIOS

ACCESSORIES ASSEMBLY



CUBREBORNES ① TERMINAL COVERS

ZÓCALO ② BODY

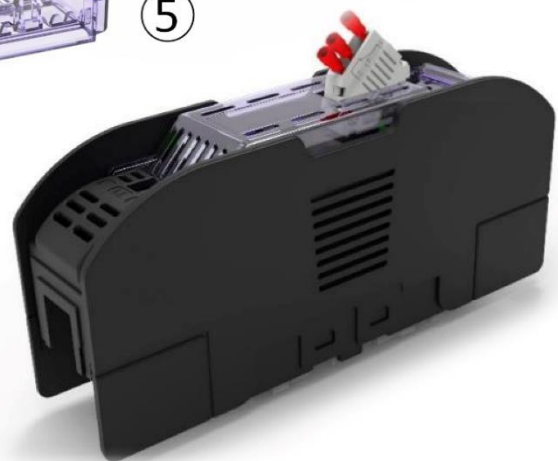
DISTANCIADOR ③ SEPARATOR

PLACA SEPARADORA ④ PARTITION WALL

TAPAFUSIBLES ⑤ FUSELINKS COVER

LA BASES PERMITEN LA UTILIZACION SIMULTANEA DEL MICRORRUPTOR PARA
FUSIBLES NH Y DE LOS ACCESORIOS IP20

THE FUSEHOLDER ALLOWS USING SIMULTANEOUSLY A MICROSWITCH FOR NH
FUSE LINKS AND IP20 PROTECTION ACCESSORIES



NH-ST

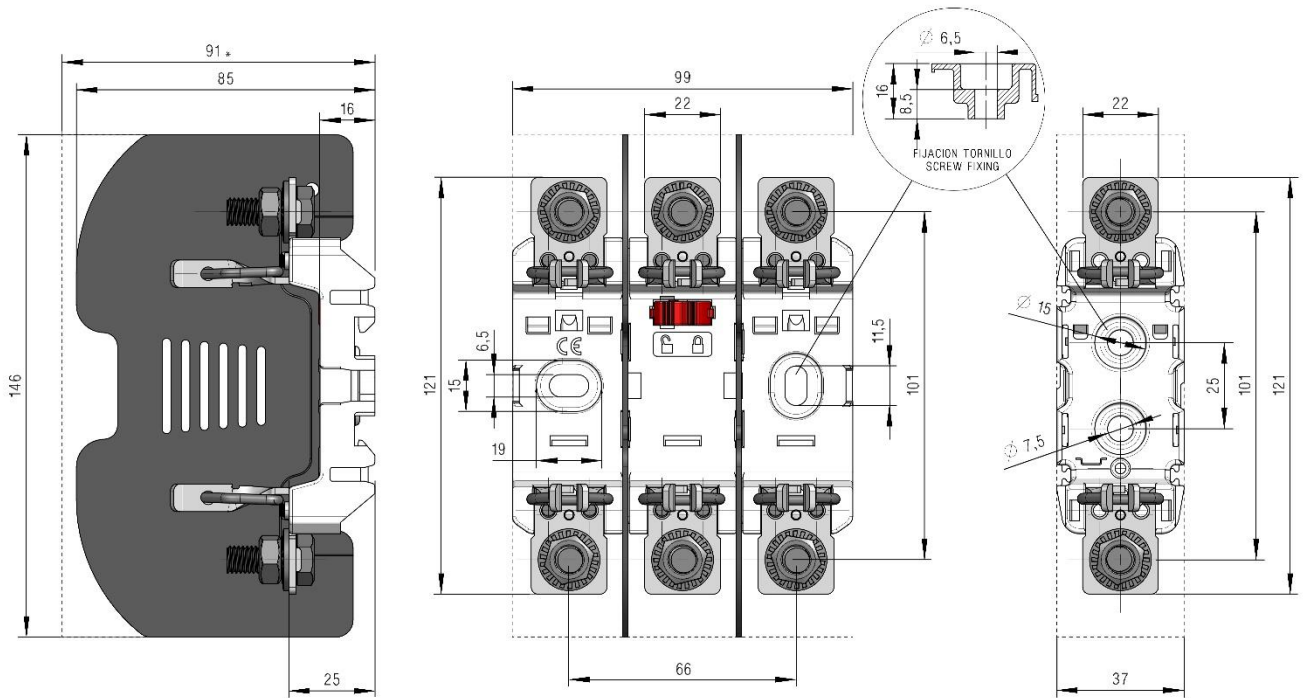
BASES INDUSTRIALES NH-ST PARA FUSIBLES NH
INDUSTRIAL NH-ST FUSE BASES FOR NH FUSE LINKS

DIMENSIONES

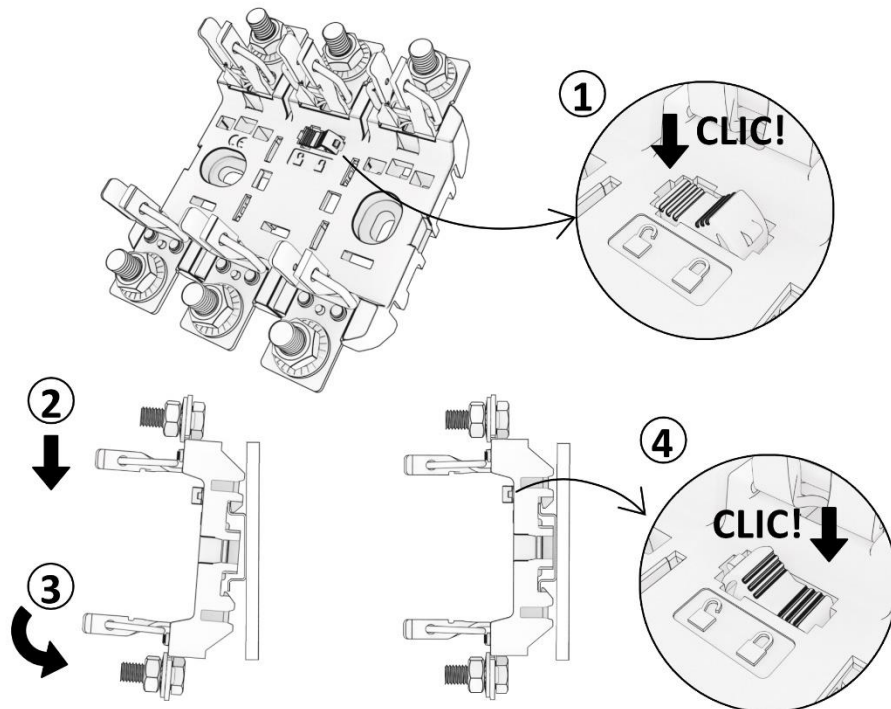
DIMENSIONS

- CON PROTECCIONES IP20
- WITH IP20 PROTECTIONS

BASE NH00 ST UNIPOLAR / TRIPOLAR
ST SINGLE POLE / THREE POLE NH00 FUSE BASE



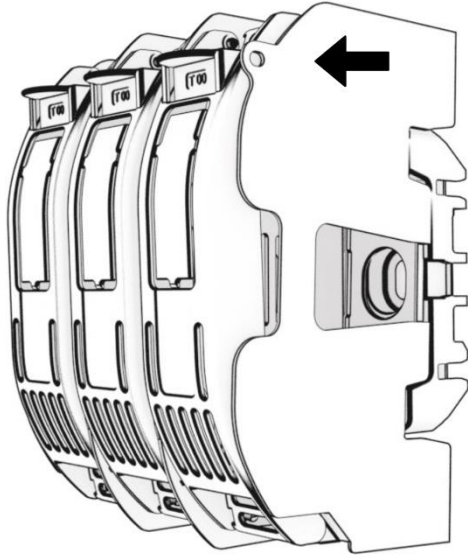
FIJACIÓN RAÍL DIN BASE NH00 3P 3P NH00 FUSE BASE DIN RAIL



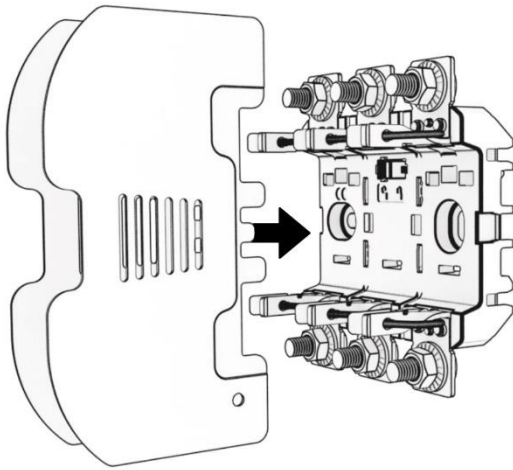
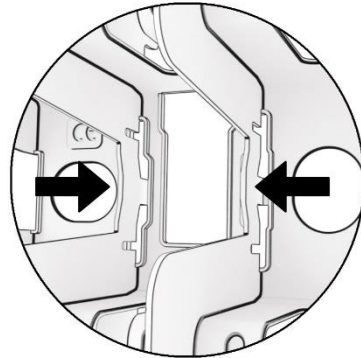
NH-ST

BASES INDUSTRIALES NH-ST PARA
FUSIBLES NH
INDUSTRIAL NH-ST FUSE BASES FOR
NH FUSE LINKS

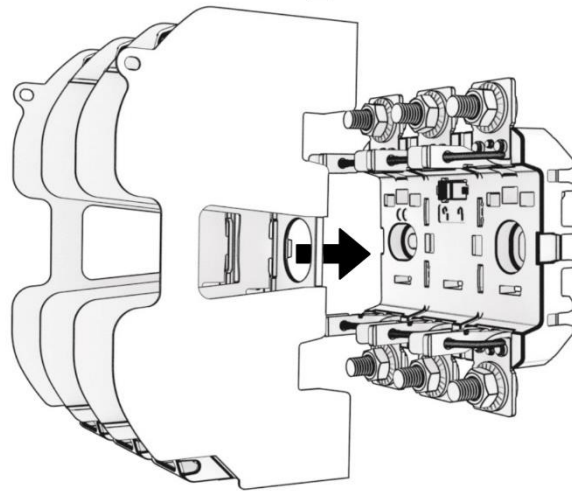
OPCIÓN DE PRECINTAR LA BASE – OPTION TO SEAL THE BASE



Para desmontar, presionar sobre los clips
To disassemble press on the clips.



INSTALACIÓN SEPARADOR – MOUNTING SEPARATOR



INSTALACIÓN CUBREBORNES –
MOUNTING COVER SHIELDS

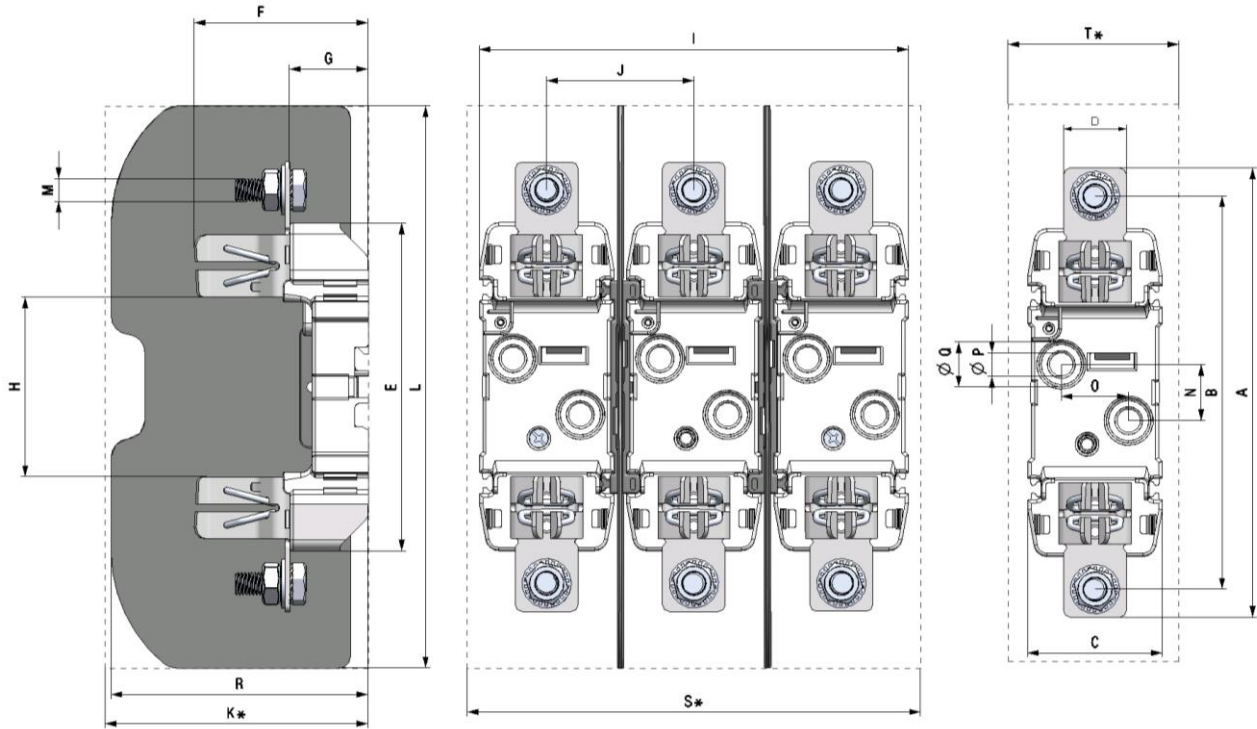
NH-ST

BASES INDUSTRIALES NH-ST PARA FUSIBLES NH
INDUSTRIAL NH-ST FUSE BASES FOR NH FUSE LINKS

DIMENSIONES

DIMENSIONS

BASE NH0/NH1/NH3 ST UNIPOLAR / TRIPOLAR
NH0/NH1/NH/2/NH3 ST SINGLE POLE/THREE POLE FUSE BASE



* CON PROTECCIONES IP20
* WITH IP20 PROTECTIONS

| Size | A | B | C | D | E | F | G | H | I | J | K | L | M | N | O | P | Q | R | S | T |
|------|-----|-----|----|----|-----|------|----|----|-------|------|-----|-----|-----|----|-----|------|----|-------|-------|-----|
| NH0 | 170 | 150 | 47 | 24 | 122 | 63 | 29 | 74 | 144 | 48,5 | 92 | 185 | M8 | 25 | --- | 7,5 | 15 | 92 | 144 | 47 |
| NH1 | 200 | 175 | 48 | 28 | 146 | 77,5 | 35 | 80 | 169,5 | 60,8 | 107 | 230 | M10 | 25 | 30 | 10,5 | 20 | 107 | 175 | 54 |
| NH2 | 225 | 200 | 60 | 32 | 148 | 88 | 35 | 80 | 192 | 66 | 123 | 250 | M12 | 25 | 30 | 10,5 | 20 | 114,5 | 214,5 | 83 |
| NH3 | 240 | 210 | 60 | 38 | 148 | 97 | 35 | 80 | 224 | 82 | 143 | 270 | M12 | 25 | 30 | 10,5 | 20 | 143 | 281 | 116 |

NH-ST

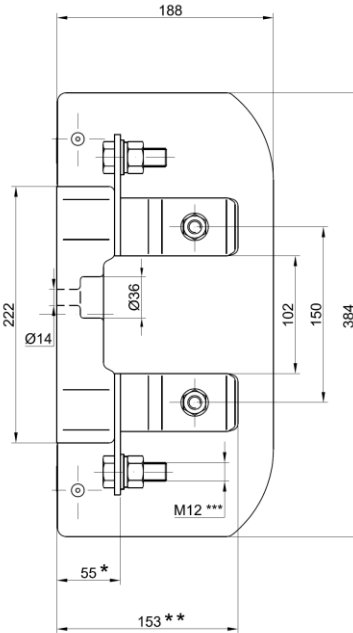
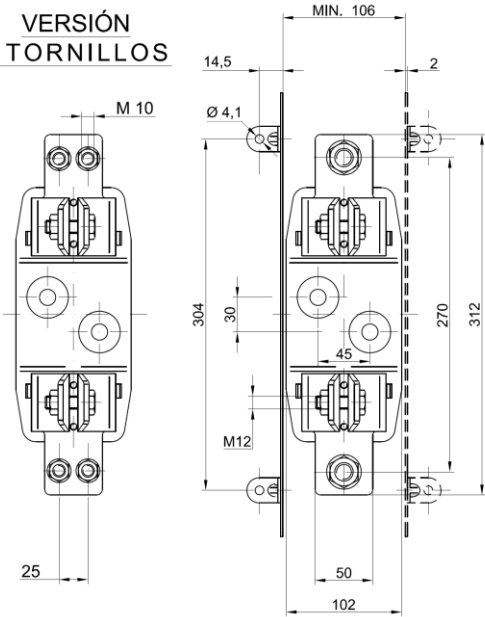
BASES INDUSTRIALES NH-ST PARA FUSIBLES NH
INDUSTRIAL NH-ST FUSE BASES FOR NH FUSE LINKS

DIMENSIONES

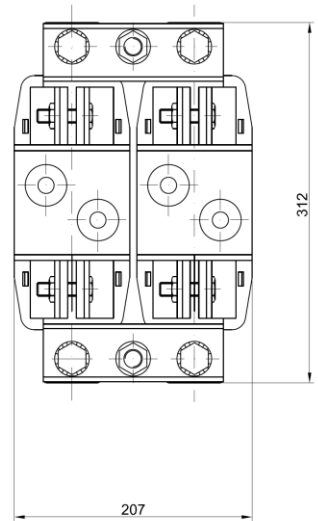
DIMENSIONS

BASE NH4 ST - ST NH4 FUSE BASE

VERSIÓN 2 TORNILLOS



VERSIÓN 2.500 A



* VERSIÓN 2.500 A: 63mm
VERSIÓN 1.600 A: 60mm

** VERSIÓN 1.600 A: 158mm

*** VERSIÓN 1.600/2.500 A: M16

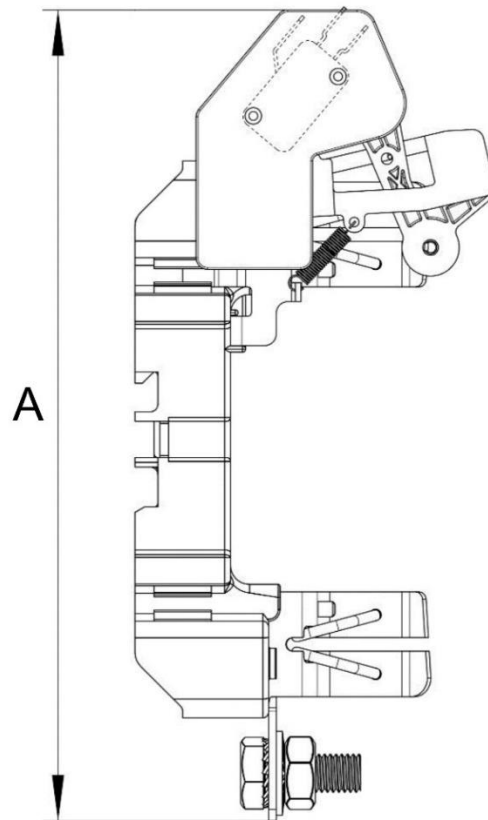
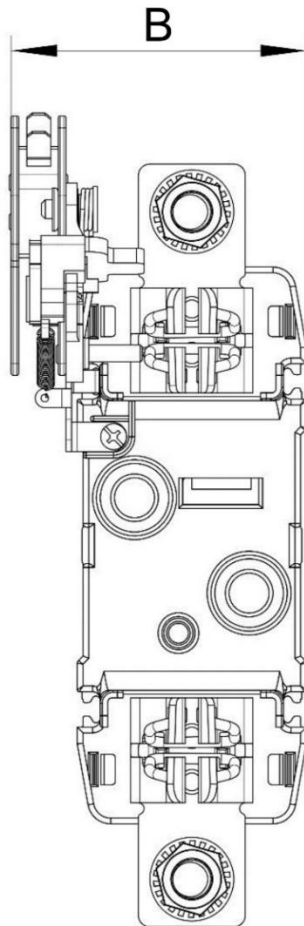
NH-ST

BASES INDUSTRIALES NH-ST PARA
FUSIBLES NH
INDUSTRIAL NH-ST FUSE BASES FOR
NH FUSE LINKS

DIMENSIONES

DIMENSIONS

BASE NH0/NH1/NH2/NH3/NH4 ST CON MICRORRUPTOR
ST NH0/NH1/NH/2/NH3/NH4 FUSE BASE WITH MICROSCHWICHT



| SIZE | A | B |
|-------------|-----|------|
| NH0 | 193 | 65,5 |
| NH1 | 215 | 76 |
| NH2 | 227 | 76 |
| NH3 | 235 | 76 |
| NH4 | 284 | 113 |
| NH4 (2500A) | 284 | 218 |

Resto de cotas, ver dimensiones generales.
Rest of specifications, see general dimensions.